

FL SERIES DIAPHRAGM PUMPS

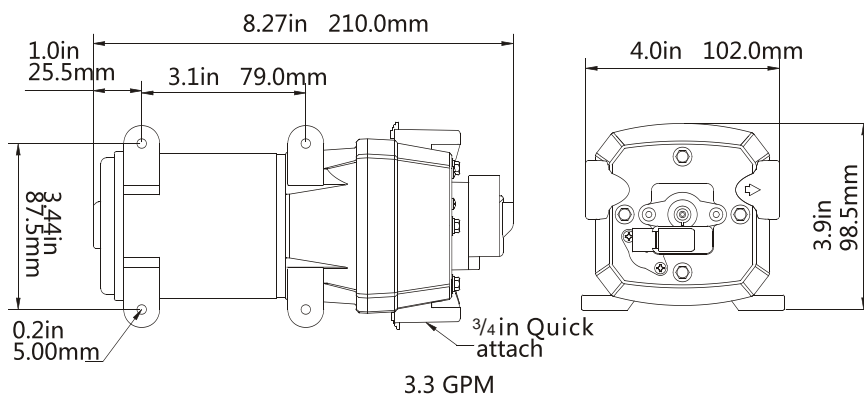


WORKING CONDITIONS

- Duty Cycle: Continuous operation
- Liquid Temperature: 140° F (60° C) Max.
- Priming Capabilities: 6 feet (1.8 m) suction lift
- Max Pressure: 70 PSI (4.8 bar)

工作条件：

- 工作周期：连续性
- 可承受最高温度：最高温140°F (60°C)
- 吸程：吸程6英尺 (1.8米)
- 最大压力：70磅/平方英寸 (4.8巴)



FEATURES & BENEFITS

- 4 chamber positive displacement diaphragm pump
- self priming
- Can run dry
- Quiet operation
- Can be adjust pressure switch
- Easy quickly connect fittings

特点和优势

- 4腔往复式隔膜泵
- 带有自吸功能
- 可短时间干运转
- 低噪音
- 带可调压力开关
- 方便安装的快速接口

TYPICAL APPLICATIONS

- Agricultural Spraying
- General Industrial
- Automotive water supply system
- Marine water supply system
- RV water supply system

主要应用领域

- 农业喷雾配套
- 常规工业配套
- 汽车供水系统加压
- 游艇供水系统加压
- 房车供水系统加压

技术参数 TECHNICAL DATA

型号 TYPE	电压 Volt (V)	开口流量 Open Flow (lpm/gpm)	压力 Pressure (psi/bar)	最大电流 Max Draw (A)	包装尺寸 Packing Size (mm)	净重 N.W
FL-30	12	10.0/2.7	17/1.2	4.5	355x133x110	1.8
FL-31	24	10.0/2.7	17/1.2	2.0	355x133x110	1.8
FL-35	12	12.5/3.3	35/2.4	8.0	355x133x110	1.8
FL-34	24	12.5/3.3	35/2.4	4.0	355x133x110	1.8
FL-40	12	17.0/4.5	40/2.8	15.0	355x133x110	2.3
FL-44	24	17.0/4.5	40/2.8	6.0	355x133x110	2.3

Note: 110V 220V AC are available on request
备注：可以按要求生产交流 110V, 220V