

PP 系列自吸射流泵

SERIES SELF-PRIMING PUMPS



Plastic pump body PP series self-priming electric pumps, equipped with waterproof plug & power cord and watertight switch, it is suitable for gardening, water supply, washing, increase water pressure, etc. It is usually can be combined with a pressure switch and a surge tank to be used as a Domestic Water System for distributing water.

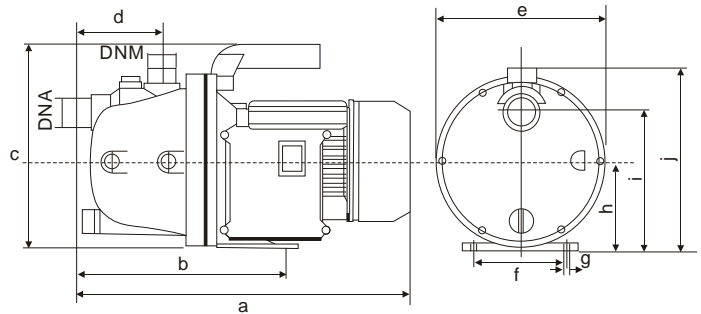
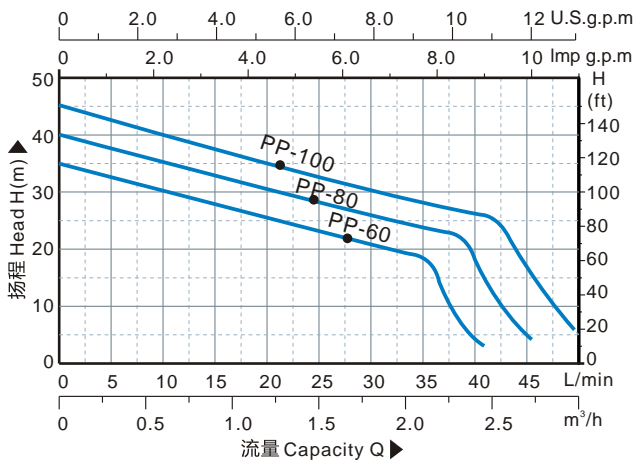
自吸泵PP系列采用塑料泵体，防水插头及防水开关。广泛应用于家用及民用领域。可用于楼房的自动给水，井中取水，小规模灌溉，园艺用水及喷泉等。也可用于装配成自动供水。

WORKING CONDITIONS

- Max Temperature of Fluid up to +40°C
- Max Pressure 8bar
- Max Ambient Temperature up to 40°C

工作条件：

- 最高流体温度为40°C
- 最大可承受的压力8bar
- 最高环境温度40°C



技术参数 TECHNICAL DATA AT 220~240V/50Hz

型号 TYPE	输入功率 Input Power		电流 Current (A)	最大流量 Q.max (l/min)	最高扬程 H.max (m)	最大吸程 S.Head (M)	转速 Speed (r/min)	流量 Capacity(l/min)														
	KW	HP						0	5	10	15	20	25	30	35	40	45	50				
PP-60	0.37	1/2	2.6	42	35	9	2850	总扬程 Total head(m)	35	32	30	27	25	23	20.5	17	4					
PP-80	0.55	3/4	3.6	46	40	9			40	38	35	33	30	28	26	24	19	5				
PP-100	0.75	1	4.8	52	45	9			45	42	39	37	35	32	30	28	26	16	6			

Note: 110V/60Hz, 115V/60Hz, 127V/60Hz, 110/220V/60Hz, 380V/50Hz ets. Models are available on request
备注: 可以按要求生产110V/60Hz, 115V/60Hz, 127V/60Hz, 110/220V/60Hz等电压频率

安装尺寸 DIMENSIONS

型号 TYPE	外形尺寸 Dimensions(mm)												包装尺寸 PackingSize (mm)			毛重 G.W KG	包装数量 Packing QTY 20'柜(Cont)		
	进口 DNA		出口 DNM		a	b	c	d	e	f	g	h	i	j	L			W	H
	inch	mm	inch	mm															
PP-60	1"	25	1"	25	360	190	198	95	194	96	9	105	160	208	410	215	230	9	1450
PP-80	1"	25	1"	25	360	190	198	95	194	96	9	105	160	208	410	215	230	10	1450
PP-100	1"	25	1"	25	360	190	198	95	194	96	9	105	160	208	410	215	230	11	1450