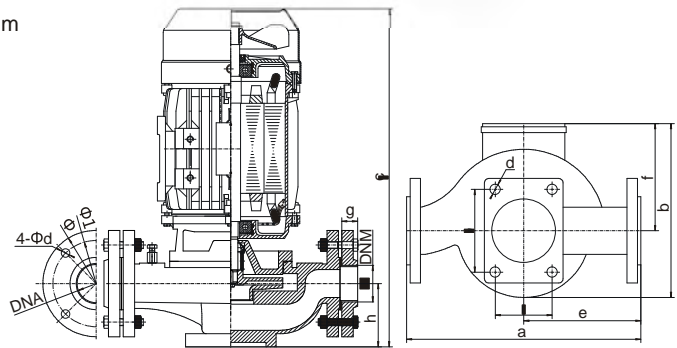
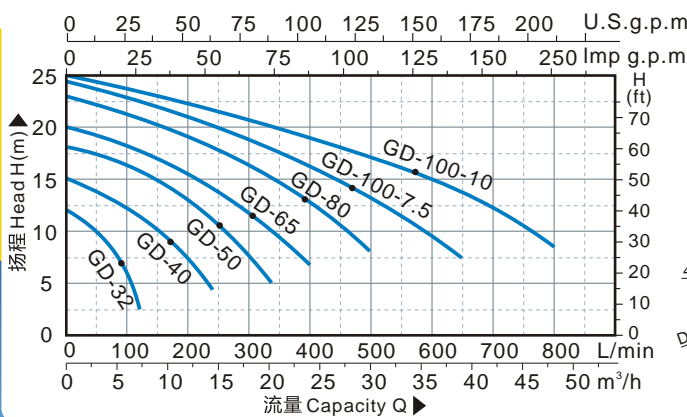


GD 系列管道泵 SERIES IN LINE PUMPS



1. This kind of pump adopts the motor which is specially designed for this pump with advanced international motor design standard. It possesses small measurement, light weight, and will not obtain too much space, it could be mounted on any position of the pipe.
2. This kind of pump adopts the impeller which is designed specially and with patent right, the pump will reduce the consumption of the power. Based on equipping with the same output motor and same caliber of pump, this kind of pump will possess higher head, greater flow quantity while the load current is less.
3. Shaft seal adopts the type which is made of imported raw material and have longer life and is not easy to break.
4. The motor is totally enclosed, so it could be used on the place without any rain keeping off equipment. The shaft of the motor will not easily rust as it has been dealt with 45# steel.
5. Please don't make the pump race rotation or back turn. For first time operating, please exhaust air from the exhaust steam nozzle, after having exhausted all the air, the pump could be operated for long period.

1. 采用国际先进电机设计标准设计的水泵专用电机，具有体积小、重量轻、不占空间、可按客户需要安装于管道的任何位置。
2. 采用特殊专利工艺设计的叶轮，使本水泵在同等功率电机配同等口径水泵时，比普通水泵的扬程高、水量大、而负载电流反而小，所以本泵耗电量少。
3. 轴封采用进口生产的机械密封，经久耐用，不易漏水。
4. 全密封马达，可在不加任何挡雨装置下工作，轴用45#钢筋特殊工艺处理，不易生锈。
5. 本水泵需注意的是严禁空转及反转运行，开动时以排气嘴排放空气，放完后即可长期运转使用。



技术参数 TECHNICAL DATA AT 380V 50Hz

型号 TYPE	输入功率 Input Power		电流 Current (A)	最大流量 Q _{max} (l/min)	最高扬程 H _{max} (m)	转速 S.H.Head (M)	流量 Capacity (l/min)															
	KW	HP					0	50	100	200	300	400	500	600	700	800						
GD-32	0.37	1/2	0.9	120	12	2900	总扬程 Total head(m)	12	10	6												
GD-40	0.75	1	2	240	15			15	14	12	7.5											
GD-50	1.5	2	3	330	18			18	17.5	17	13	7.5										
GD-65	2.2	3	5	400	20			20	19	18	15.5	12	7									
GD-80	4	5.5	8	500	23			23	22	21	18.5	16.5	12.5	8								
GD-100-7.5	5.5	7.5	11	650	24			24	23.5	23	21.5	19	16.5	13	9	3						
GD-100-10	7.5	10	15	800	26			26	25	24	22.5	21	18	17	15	12	8					

Note: 230/400V/50Hz 240/415V/50Hz, 400/690V/50Hz, 420V/50Hz 380/440V/50/60Hz ets. Models are available on request
备注：可以按要求生产230/400V/50Hz 240/415V/50Hz, 400/690V/50Hz, 420V/50Hz 380/440V/50/60Hz 等电压频率

安装尺寸 DIMENSIONS

型号 TYPE	外形尺寸 Dimensions(mm)												法兰尺寸 Flange Dimensions(mm)				包装尺寸 Packing Size (mm)			毛重 G.W KG	包装数量 Packing QTY. 20'柜(Cont)		
	进口 DNA		出口 DNM		a	b	c	d	e	f	h	i	j	w	g	φ1	φ	4-φd	L			W	H
	inch	mm	inch	mm																			
GD-32	1.25"	32	1.25"	32	250	220	350	10	125	120	71	139	131	20	100	120	4-φ10	270	240	380	17	1200	
GD-40	1.5"	40	1.5"	40	263	198	385	12	131	122	81	65	95	21	100	120	4-φ12	390	280	440	22	620	
GD-50	2"	50	2"	50	294	215	435	12	147	137	95	75	115	22	115	140	4-φ12	420	280	490	28.5	520	
GD-65	2.5"	65	2.5"	65	316	215	475	12	158	137	104	82	122	26	140	165	4-φ12	440	280	540	35.5	450	
GD-80	3"	80	3"	80	330	292	540	12	165	152	114	149	159	31	155	190	4-φ14	480	330	590	63	320	
GD-100-7.5	4"	100	4"	100	390	335	600	12	195	175	122	209	219	26	174	210	4-φ15	560	390	650	80	210	
GD-100-10	4"	100	4"	100	390	335	640	12	195	175	122	209	219	26	174	210	4-φ15	560	390	700	88	190	