

Y2 系列三相异步电动机

SERIES THREE-PHASE ASYNCHRONOUS MOTORS

WITH CAST IRON HOUSING



Y2 series three-phase asynchronous motors are designed specially for European market, whose terminal box is located on the top of motor. The motor has a very compact structure and attractive appearance, the sizes and mounting dimensions are all in conformity with IEC standard. The motor has some good feature, such as high efficiency, energy-saving. High starting torque and easy maintenance etc.

OPERATING CONDITIONS

Ambient temperature: $-15^{\circ}\text{C} \leq \theta \leq 40^{\circ}\text{C}$
Above sea level: not exceed 1000m
Rated voltage: $\pm 5\%$

Y2系列三相异步电动机专为欧洲市场设计，接线盒位于电机顶部。电机造型紧凑，外观独特，机身大小及底脚尺寸完全符合IEC标准。Y2系列电机性能优良，高效，节能，高起动转矩，易于维护。

运行环境

环境温度： $-15^{\circ}\text{C} \leq \theta \leq 40^{\circ}\text{C}$
海拔高度：不超过 1000m
额定电压： $\pm 5\%$

MOTOR FEATURES

- Utilise IP54 enclosures, IP55 on request
- Fixed feet
- Superior paint finish
- Motors made to heavy duty service factors
- Can be made with stainless steel shaft
- Motors made for continuous S1 duty
- Utilise Vacuum impregnated Class F insulation
- High performance and efficiency

产品特点

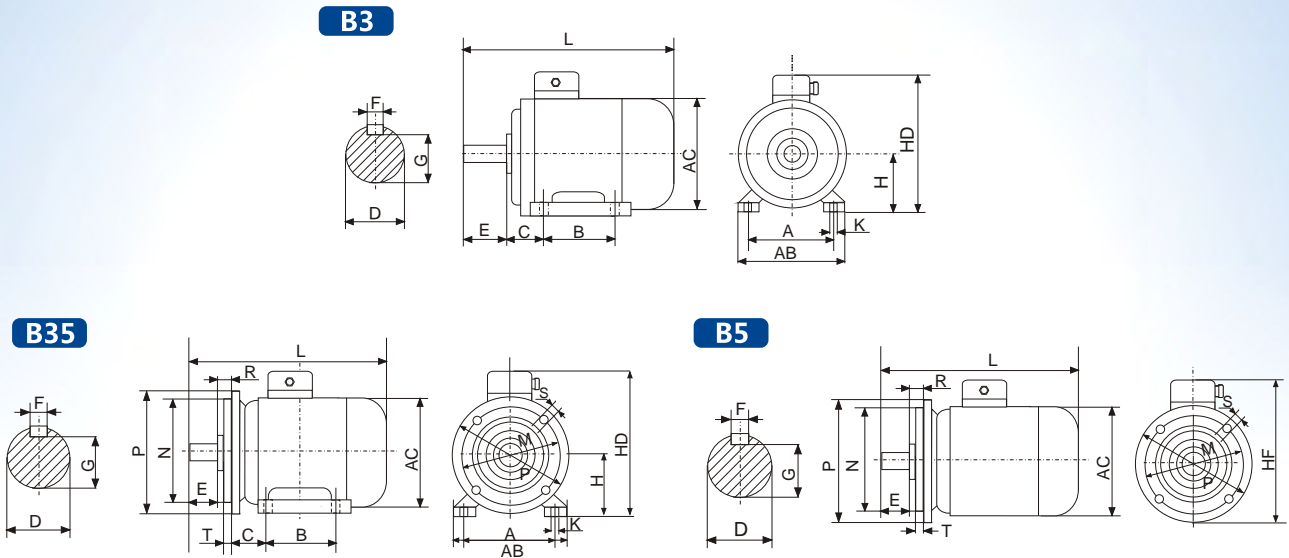
- IP54 (IP55)
- 固定脚
- 外形美观
- 适应于高负载工作
- 可供不锈钢轴
- S1连续工作制
- F级绝缘
- 高性能、高效率

CUSTOMER BENEFITS

- Water dust and vermin resistant
- Quiet operation
- Electricity saving
- Easy intallation
- Corrosion resistant
- Safety and reliable
- Superior life
- Reliable in country, city or factory environments

产品优势

- 防水、防尘、防害
- 低噪音
- 节能
- 安装便捷
- 防腐
- 安全可靠
- 使用寿命长
- 适用于乡村、城市、工厂



外形及安装尺寸 OVERALL & INSTALLATION DIMENSIONS

机座号 Frame size	装配尺寸 Mounting Dimensions (mm)															外型尺寸 Overall Dimensions (mm)					
	A	B	C	D	E	F	G	H	K	M	N	P	R	S	T	AB	AC	AD	HD	HF	L
80	125	100	50	19	40	6	15.5	80	10	165	130	200	0	12	3.5	165	175	145	220	185	295
90S	140	100	56	24	50	8	20	90	10	165	130	200	0	12	3.5	180	195	155	250	195	320
90L	140	125	56	24	50	8	20	90	10	165	130	200	0	12	3.5	180	195	155	250	195	345
100L	160	140	63	28	60	8	24	100	12	215	180	250	0	15	4	205	215	180	270	245	385
112M	190	140	70	28	60	8	24	112	12	215	180	250	0	15	4	230	240	190	300	265	400
132S	216	140	89	38	80	10	33	132	12	265	230	300	0	15	4	270	275	210	345	315	470
132M	216	178	89	38	80	10	33	132	12	265	230	300	0	15	4	270	275	210	345	315	510
160M	254	210	108	42	110	12	37	160	15	300	250	350	0	19	5	320	330	255	420	385	615
160L	254	254	108	42	110	12	37	160	15	300	250	350	0	19	5	320	330	255	420	385	670
180M	279	241	121	48	110	14	42.5	180	15	300	250	350	0	19	5	355	380	280	455	430	700
180L	279	279	121	48	110	14	42.5	180	15	300	250	350	0	19	5	355	380	280	455	430	740
200L	318	305	133	55	110	16	49	200	19	350	300	400	0	19	5	395	420	305	505	480	770
225S	356	286	149	60	140	18	53	225	19	400	350	450	0	19	5	435	470	335	560	535	815
225M-2	356	311	149	55	110	16	49	225	19	400	350	450	0	19	5	435	470	335	560	535	820
225M-4, 6	356	311	149	60	140	18	53	225	19	400	350	450	0	19	5	435	470	335	560	535	845
250M-2	406	349	168	60	140	18	53	250	24	500	450	550	0	19	5	490	510	370	615	595	910
250M-4, 6	406	349	168	65	140	18	58	250	24	500	450	550	0	19	5	490	510	370	615	595	910
280S-2	457	368	190	65	140	18	58	280	24	500	450	550	0	19	5	550	580	410	680	650	985
280S-4, 6	457	368	190	75	140	20	67.5	280	24	500	450	550	0	19	5	550	580	410	680	650	985
280M-2	457	419	190	65	140	18	58	280	24	500	450	550	0	19	5	550	580	410	680	650	1035
280M-4, 6	457	419	190	75	140	20	67.5	280	24	500	450	550	0	19	5	550	580	410	680	650	1035
315S-2	508	406	216	65	140	18	58	315	28	600	550	660	0	24	6	635	645	530	845	900	1160
315S-4, 6	508	406	216	80	170	22	71	315	28	600	550	660	0	24	6	635	645	530	845	900	1270
315M-2	508	457	216	65	140	18	58	315	28	600	550	660	0	24	6	635	645	530	845	900	1190
315M-4, 6	508	457	216	80	170	22	71	315	28	600	550	660	0	24	6	635	645	530	845	900	1300
315L-2	508	508	216	65	140	18	58	315	28	600	550	660	0	24	6	635	645	530	845	900	1190
315L-4, 6	508	508	216	80	170	22	71	315	28	600	550	660	0	24	6	635	645	530	845	900	1300

技术数据 TECHNICAL DATA AT 50Hz

型号 Model	功率 Power		电压 Voltage (V)	电流 Current (A)	转速 Speed (r.p.m)	效率 Eff (%)	功率因数 Power factor	堵转转矩 额定转矩 Tst/Tn(Times)	最大转矩 额定转矩 Tmax/Tn(Times)	堵转电流 额定电流 Ist/In(Times)	净重 N.W.(kg)
	KW	HP									
Y2-801-2	0.75	1	220/380	1.8/1.04	2825	75	0.83	2.2	2.3	6.1	16
Y2-802-2	1.1	1.5	220/380	2.58/1.5	2825	77	0.84	2.2	2.3	7.0	17
Y2-90S-2	1.5	2	220/380	3.4/1.96	2840	79	0.84	2.2	2.3	7.0	22
Y2-90L-2	2.2	3	220/380	4.85/2.8	2840	81	0.85	2.2	2.3	7.0	25
Y2-100L-2	3	4	220/380	6.3/3.6	2880	83	0.87	2.2	2.3	7.5	33
Y2-112M-2	4	5.5	380/660	8.13/4.7	2890	85	0.88	2.2	2.3	7.5	45
Y2-132S1-2	5.5	7.5	380/660	11/6.35	2900	86	0.88	2.2	2.3	7.5	64
Y2-132S2-2	7.5	10	380/660	14.9/8.6	2900	87	0.88	2.2	2.3	7.5	70
Y2-160M1-2	11	15	380/660	21.3/12.3	2930	88	0.89	2.2	2.3	7.5	117
Y2-160M2-2	15	20	380/660	28.8/16.6	2930	89	0.89	2.2	2.3	7.5	125
Y2-160L-2	18.5	25	380/660	34.7/20	2930	90	0.90	2.2	2.3	7.5	147
Y2-180M-2	22	30	380/660	41/23.7	2940	90.5	0.90	2.0	2.3	7.5	180
Y2-200L1-2	30	40	380/660	55.5/32	2950	91.2	0.90	2.0	2.3	7.5	240
Y2-200L2-2	37	50	380/660	68/39.2	2950	92	0.90	2.0	2.3	7.5	255
Y2-225M-2	45	60	380/660	81/46.8	2950	92.3	0.90	2.0	2.3	7.5	309
Y2-250M-2	55	75	380/660	99.6/57.5	2950	92.5	0.90	2.0	2.3	7.5	403
Y2-280S-2	75	100	380/660	133.3/76.9	2950	93	0.90	2.0	2.3	7.5	544
Y2-280M-2	90	120	380/660	158.2/91.34	2950	93.8	0.91	2.0	2.3	7.5	620
Y2-315S-2	110	150	380/660	195.1/112.64	2950	94	0.91	1.8	2.2	7.1	980
Y2-315M-2	132	176	380/660	231.6/133.7	2950	94.5	0.91	1.8	2.2	7.1	1080
Y2-315L1-2	160	213	380/660	280/161.4	2950	94.6	0.92	1.8	2.2	7.1	1160
Y2-315L2-2	200	267	380/660	347.7/200.8	2950	94.8	0.92	1.8	2.2	7.1	1190
Y2-801-4	0.55	0.75	220/380	1.57/0.91	1390	71	0.75	2.1	2.3	5.2	17
Y2-802-4	0.75	1	220/380	2.03/1.17	1390	73	0.76	2.3	2.3	6.0	18
Y2-90S-4	1.1	1.5	220/380	2.9/1.68	1400	75	0.77	2.3	2.3	6.0	22
Y2-90L-4	1.5	2	220/380	3.7/2.14	1400	78	0.79	2.3	2.3	6.0	27
Y2-100L1-4	2.2	3	220/380	5.16/2.98	1420	80	0.81	2.3	2.3	7.0	34
Y2-100L2-4	3	4	220/380	6.78/3.91	1420	82	0.82	2.3	2.3	7.0	38
Y2-112M-4	4	5.5	380/660	8.82/5.1	1440	84	0.82	2.3	2.3	7.0	43
Y2-132S-4	5.5	7.5	380/660	11.7/6.76	1440	85	0.83	2.3	2.3	7.0	68
Y2-132M-4	7.5	10	380/660	15.6/9	1440	87	0.84	2.3	2.3	7.0	81
Y2-160M-4	11	15	380/660	22.3/12.9	1460	88	0.84	2.2	2.3	7.0	123
Y2-160L-4	15	20	380/660	30/17.4	1460	89	0.85	2.2	2.3	7.5	144
Y2-180M-4	18.5	25	380/660	36.5/21.1	1470	90.5	0.85	2.2	2.3	7.5	182
Y2-180L-4	22	30	380/660	43.3/24.9	1470	91	0.86	2.2	2.3	7.5	190
Y2-200L-4	30	40	380/660	57.6/33.26	1480	92	0.86	2.2	2.3	7.2	270
Y2-225S-4	37	50	380/660	70/40.4	1480	92.5	0.87	2.2	2.3	7.2	284
Y2-225M-4	45	60	380/660	84/48.5	1480	92.8	0.87	2.2	2.3	7.2	320
Y2-250M-4	55	75	380/660	102.9/59.4	1480	93	0.87	2.2	2.3	7.2	427
Y2-280S-4	75	100	380/660	138/79.7	1480	93.8	0.87	2.2	2.3	7.2	562
Y2-280M-4	90	120	380/660	165.6/95.6	1480	94.2	0.87	2.2	2.3	7.2	667
Y2-315S-4	110	150	380/660	200.5/115.6	1480	94.5	0.88	2.1	2.2	6.9	1000
Y2-315M-4	132	176	380/660	239/138	1480	94.8	0.88	2.1	2.2	6.9	1100
Y2-315L1-4	160	213	380/660	288/166.3	1480	94.9	0.89	2.1	2.2	6.9	1160
Y2-315L2-4	200	267	380/660	358.9/207.2	1480	95	0.89	2.1	2.2	6.9	1270

技术数据 TECHNICAL DATA AT 50Hz

型号 Model	功率 Power		电压 Voltage (V)	电流 Current (A)	转速 Speed (r.p.m)	效率 Eff (%)	功率因数 Power factor	堵转转矩 额定转矩 Tst/Tn(Times)	最大转矩 额定转矩 Tmax/Tn(Times)	堵转电流 额定电流 Ist/In(Times)	净重 N.W.(kg)
	KW	HP									
Y2-90S-6	0.75	1	220/380	2.3/1.33	910	69	0.72	2.0	2.1	5.5	23
Y2-90L-6	1.1	1.5	220/380	3.2/1.85	910	72	0.73	2.0	2.1	5.5	25
Y2-100L-6	1.5	2	220/380	3.9/2.25	940	76	0.75	2.0	2.1	5.5	33
Y2-112M-6	2.2	3	220/380	5.6/3.23	940	79	0.76	2.1	2.1	6.5	45
Y2-132S-6	3	4	220/380	7.4/4.27	960	81	0.76	2.1	2.1	6.5	63
Y2-132M1-6	4	5.5	380/660	9.7/5.6	960	82	0.76	2.1	2.1	6.5	73
Y2-132M2-6	5.5	7.5	380/660	12.9/7.45	960	84	0.77	2.1	2.1	6.5	84
Y2-160M-6	7.5	10	380/660	17/9.82	970	86	0.78	2.0	2.1	6.5	119
Y2-160L-6	11	15	380/660	24.2/13.97	970	87.5	0.78	2.0	2.1	6.5	147
Y2-180L-6	15	20	380/660	31.6/18.24	970	89	0.81	2.0	2.1	7.0	195
Y2-200L1-6	18.5	25	380/660	38.6/22.3	970	90	0.81	2.1	2.1	7.0	220
Y2-200L2-6	22	30	380/660	44.7/25.8	970	90	0.83	2.1	2.1	7.0	250
Y2-225M-6	30	40	380/660	58.4/33.72	970	91.5	0.84	2.0	2.1	7.0	292
Y2-250M-6	37	50	380/660	70.4/40.65	970	92	0.86	2.1	2.1	7.0	408
Y2-280S-6	45	60	380/660	85.4/49.3	970	92.5	0.86	2.1	2.0	7.0	536
Y2-280M-6	55	75	380/660	103.3/59.65	970	92.8	0.86	2.1	2.0	7.0	595
Y2-315S-6	75	100	380/660	140/80.9	970	93.5	0.86	2.0	2.0	7.0	990
Y2-315M-6	90	120	380/660	167/96.42	970	93.8	0.86	2.0	2.0	7.0	1080
Y2-315L1-6	110	150	380/660	202.3/116.8	970	94	0.86	2.0	2.0	6.7	1150
Y2-315L2-6	132	176	380/660	242.5/140	970	94.2	0.87	2.0	2.0	6.7	1210
Y2-132S-8	2.2	3	220/380	6/3.46	710	78.0	0.71	1.8	2.0	6.0	63
Y2-132M-8	3.0	4	220/380	7.9/4.56	710	79.0	0.73	1.8	2.0	6.0	79
Y2-160M1-8	4.0	5.5	380/660	10.3/5.95	720	81.0	0.73	1.9	2.0	6.0	118
Y2-160M2-8	5.5	7.5	380/660	13.6/7.85	720	83.0	0.74	2.0	2.0	6.0	119
Y2-160L-8	7.5	10	380/660	17.8/10.28	720	85.5	0.75	2.0	2.0	6.0	145
Y2-180L-8	11	15	380/660	25.1/14.5	730	87.5	0.76	2.0	2.0	6.6	184
Y2-200L-8	15	20	380/660	34.1/19.7	730	88.0	0.76	2.0	2.0	6.6	250
Y2-225S-8	18.5	25	380/660	40.6/23.44	730	90.0	0.76	1.9	2.0	6.6	266
Y2-225M-8	22	30	380/660	47.5/23.8	740	90.5	0.78	1.9	2.0	6.6	292
Y2-250M-8	30	40	380/660	64/36.95	740	91.0	0.79	1.9	2.0	6.6	405
Y2-280S-8	37	50	380/660	78/45	740	91.5	0.79	1.9	2.0	6.6	520
Y2-280M-8	45	60	380/660	94/54.3	740	92.0	0.79	1.9	2.0	6.6	592
Y2-315S-8	55	75	380/660	111/64.1	740	92.8	0.81	1.8	2.0	6.6	1000
Y2-315M-8	75	100	380/660	151/87.2	740	93.0	0.81	1.8	2.0	6.6	1100
Y2-315L1-8	90	125	380/660	178/102.8	740	93.8	0.82	1.8	2.0	6.6	1160
Y2-315L2-8	110	150	380/660	217/125.3	740	94.0	0.82	1.8	2.0	6.4	1230

Note: 230/400V/50Hz 240/415V/50Hz, 400/690V/50Hz, 420V/50Hz 380/440V/50/60Hz ets. Models are available on request
 备注：可以按要求生产230/400V/50Hz 240/415V/50Hz, 400/690V/50Hz, 420V/50Hz 380/440V/50/60Hz 等电压频率